



# Datasheet

## IC603

GPS + GLONASS Internal Active Patch

Datasheet

Specification subject to change without notice



# 1.0 Specification

## 1.1 Antenna

<b>Frequency</b>	1575.42 / 1602MHz
<b>Impedance</b>	50 Ohms
<b>Polarization</b>	RHCP
<b>Gain</b>	2.5 dBi (Zenith)
<b>VSWR</b>	< 1.5

## 1.2 GPS LNA

<b>Gain</b>	18dB +/- 2dB Typical
<b>Noise Figure</b>	< 1.5dB
<b>VSWR</b>	< 2.0
<b>Supply Voltage</b>	2.0 - 3.6V
<b>Current Consumption</b>	< 5mA

## 1.3 Connection

<b>Connection</b>	IPEX, SMA, MMCX
<b>Cable</b>	RG1.13, others available
<b>Cable Length</b>	100mm - Other cable lengths available

## 1.4 Mechanical

<b>Dimensions</b>	18.6 x 18.6 x 7.3mm
-------------------	---------------------

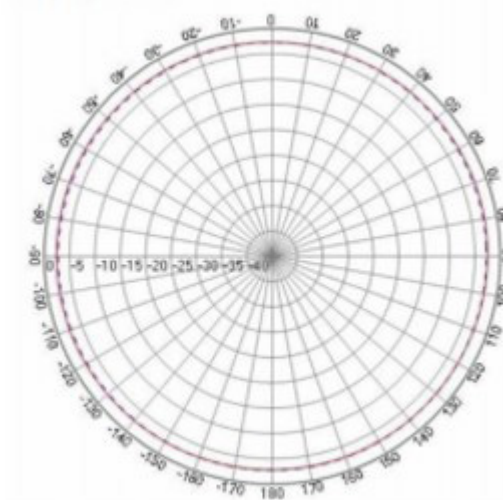
## 1.5 Environmental

<b>Operating Temperature</b>	-40C to +85C
<b>Humidity</b>	Up to 75%
<b>Vibration</b>	10 - 55Hz 1.5mm amplitude. Tested 2h

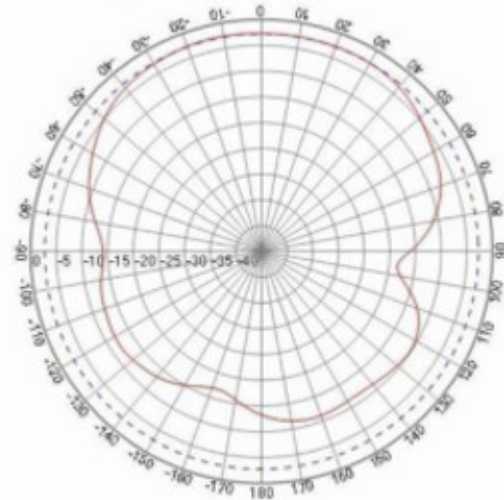
## 2.0 Cermaic antenna radiation patterns

### 2.1 GPS 1575.42MHz

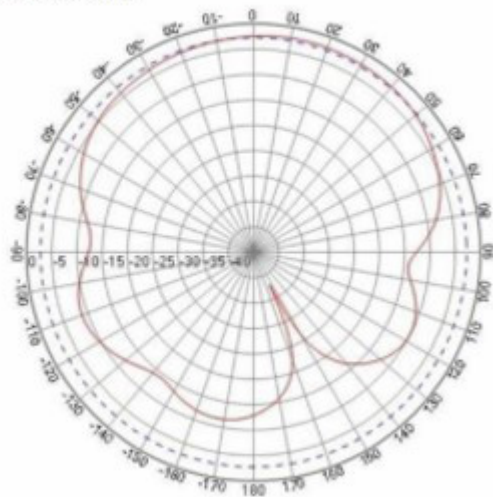
XY Plane-GPS



XZ Plane-GPS

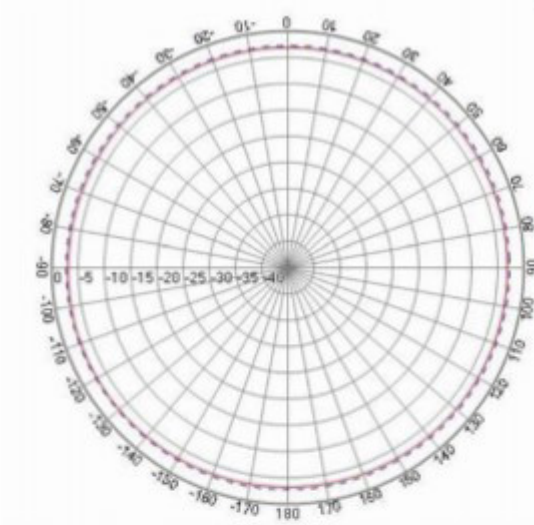


YZ Plane-GPS

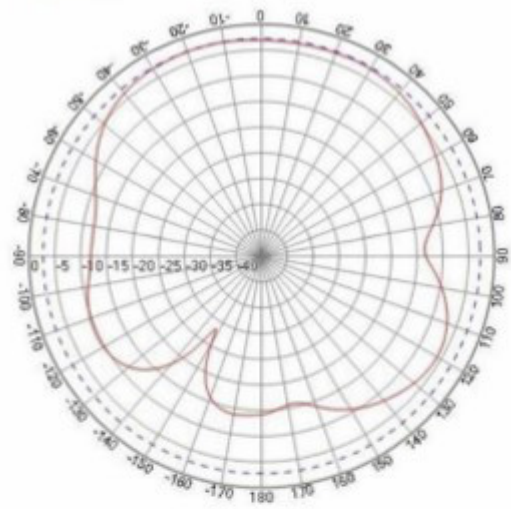


## 2.2 GLONAS 1602MHz

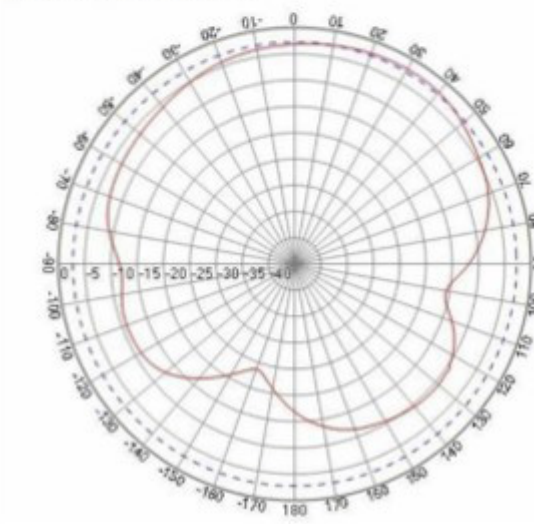
XY Plane-GLONASS



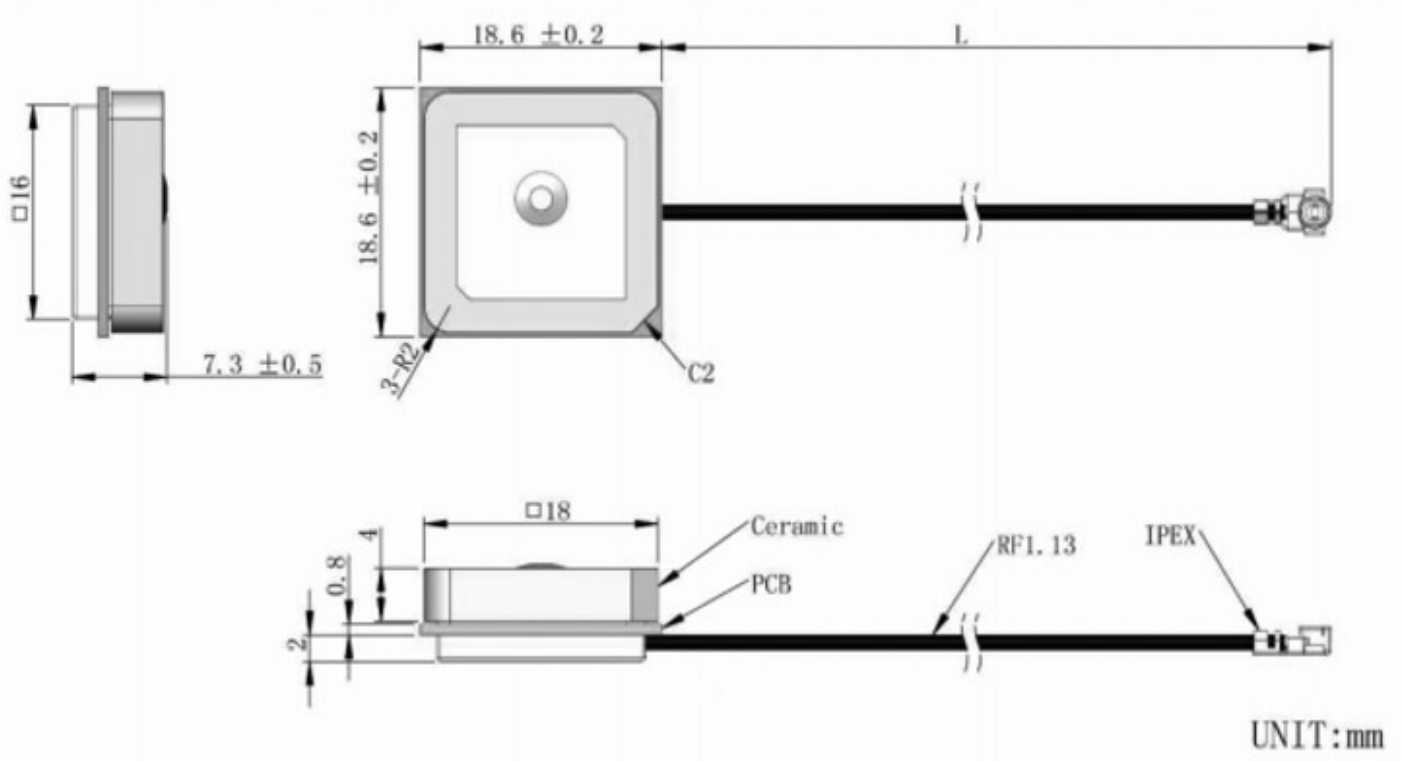
XZ Plane-GLONASS



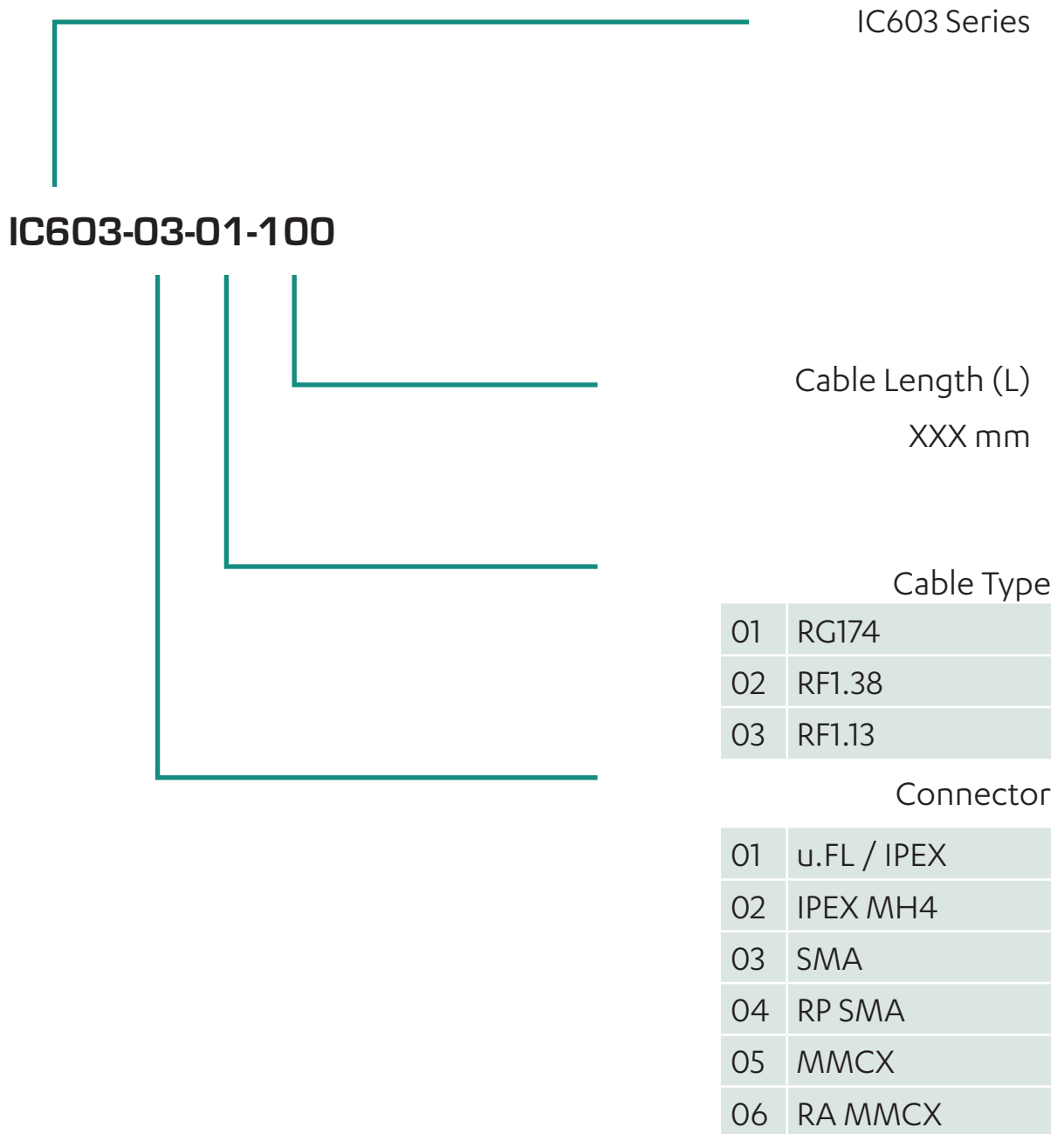
YZ Plane-GLONASS



### 3.0 Mechanical Drawing



## 4.0 Ordering Information





**Revision History**

1.0 - Initial Release  
2nd December 2019

[www.xgenrf.com](http://www.xgenrf.com)