



# Datasheet

## IF600

Internal Flexible PCB Wide Band 4G Antenna

### Datasheet

Specification subject to change without notice



## 1.0 Specification

### 1.1 Electrical

<b>Frequency</b>	698 - 960MHz 1710 - 2690MHz
<b>Impedance</b>	50 Ohms
<b>Polarization</b>	Linear
<b>Gain</b>	3 dBi
<b>VSWR</b>	< 3.0

### 1.2 Connection

<b>Connection</b>	uFL/IPEX
<b>Cable</b>	RF1.13 / RF1.37
<b>Cable Length</b>	100MM - Other cable lengths available

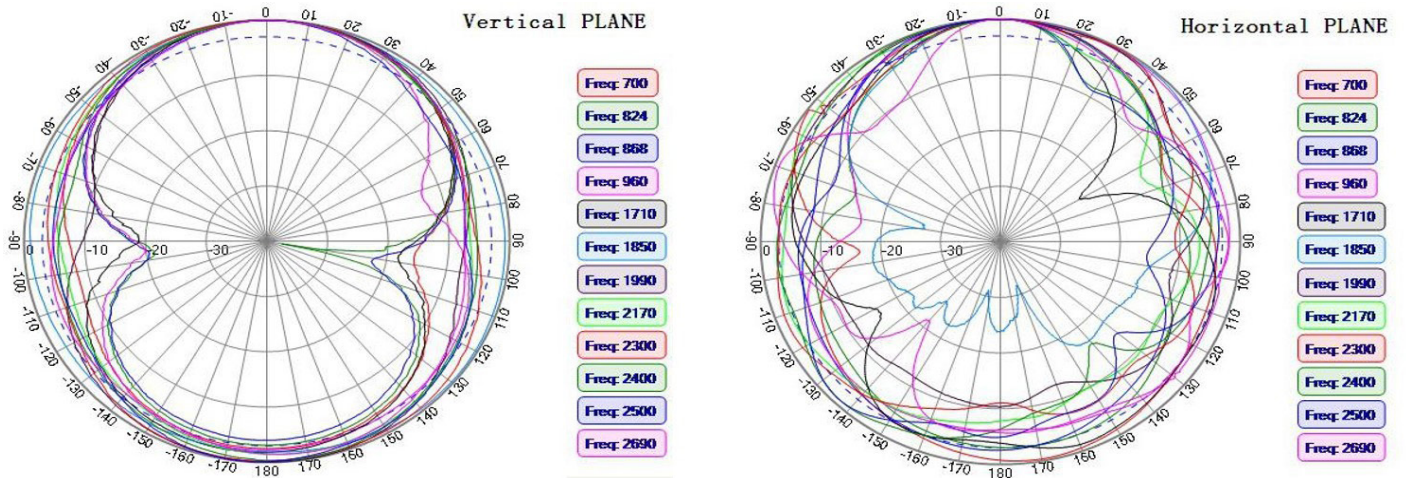
### 1.3 Mechanical

<b>Dimensionsd</b>	100mm x 20 x 0.2mm
<b>Mounting</b>	3M Adhesive

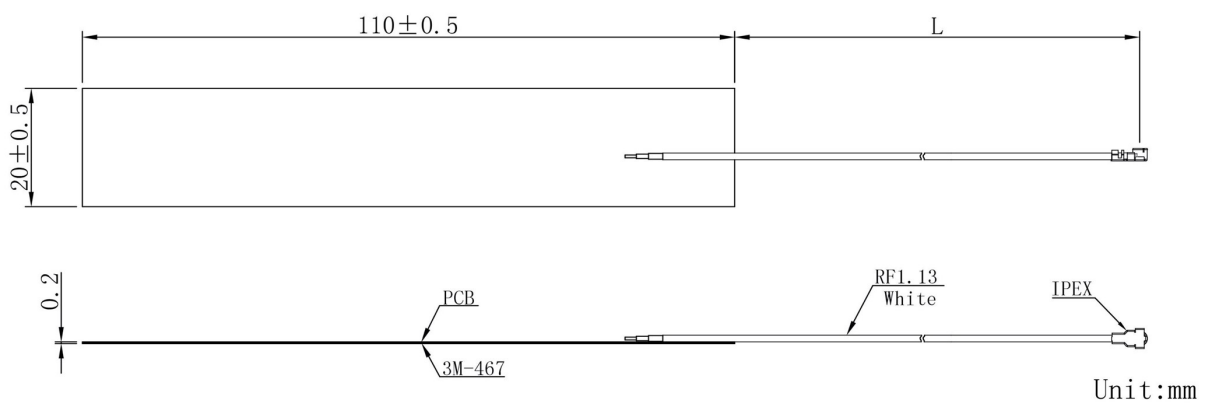
### 1.4 Environmental

<b>Operating Temperture</b>	-40C to +85C
-----------------------------	--------------

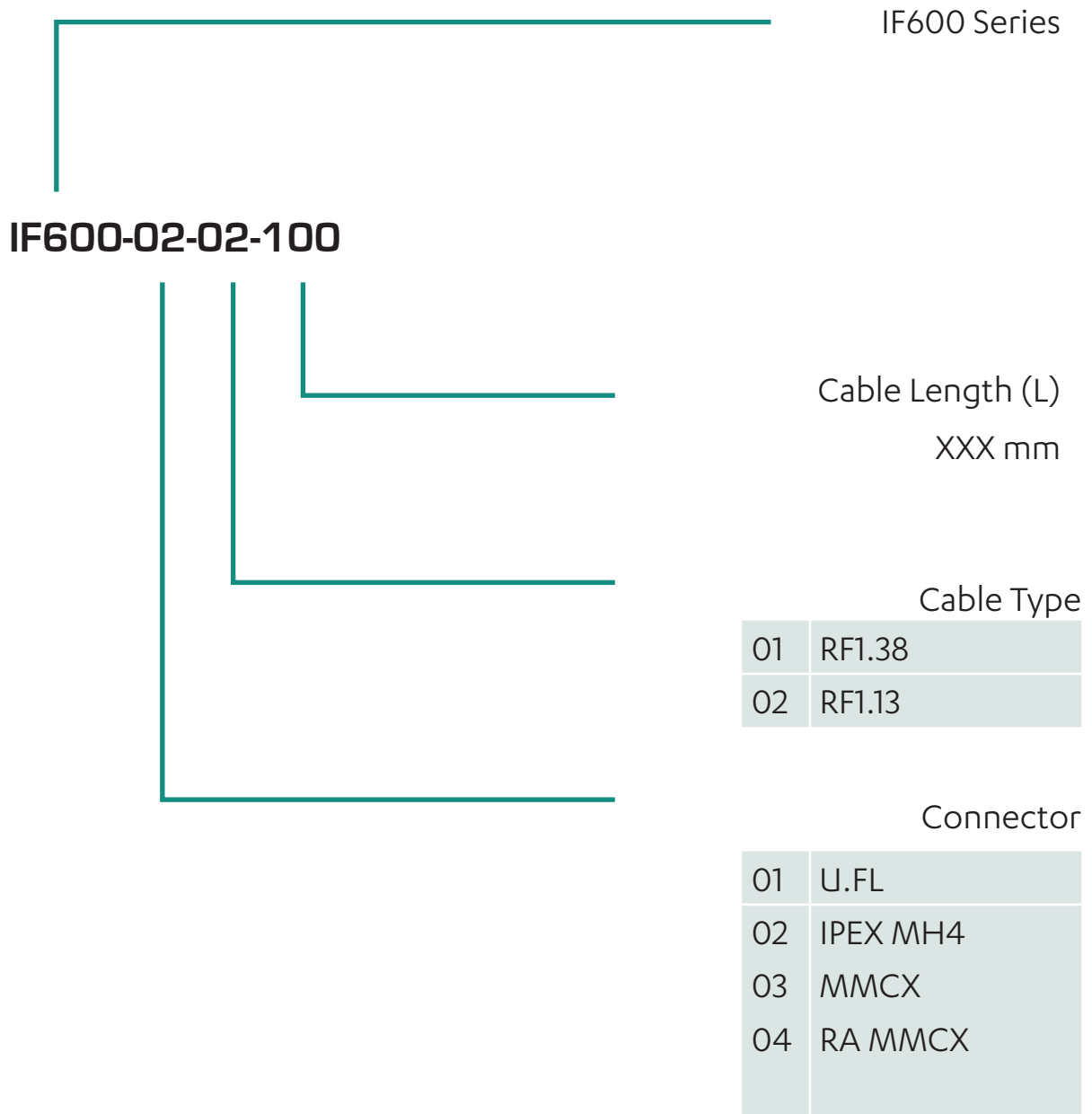
## 2.0 Radiation Patterns



## 3.0 Mechanical Drawing



## 4.0 Ordering Information





**Revision History**

- 1.0 - Initial Release 02/12/2018
- 2.0 - Moved from IoT Wireless to xGenRF 07/01/2020

[www.xgenrf.com](http://www.xgenrf.com)